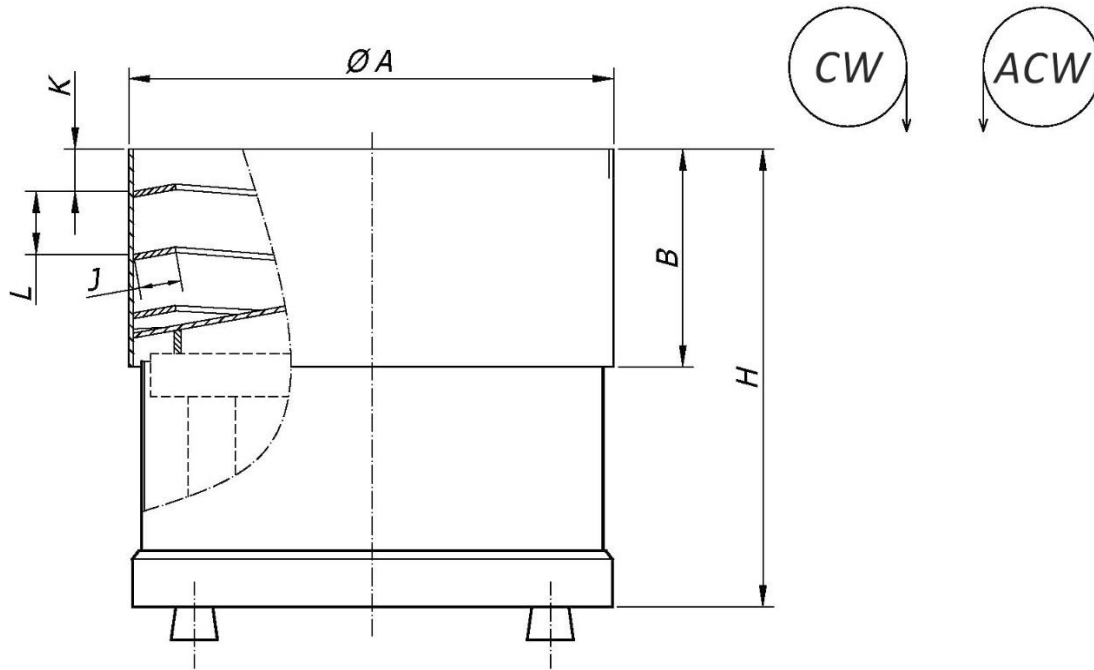


VIBRATORY POSITIONING UNITS

Vibrator + cylindrical bowl (in AISI-304 L stainless steel)



Unit model	Measurements (mm)								Weight (~) kg		Bowl code	Vibrator model	
	A (\varnothing)	B	(~) H		J	K	L		I	II		I	II
			I	II			0	1					
VA-170/1	170	60	190	--	10	11	15	--	9	--	15600-00	VA-15	--
VA-200/1	200	70	200	--	15	14	--	25	10	--	15600-10	VA-15	--
VA-250/2	250	110	280	--	15	20	25	35	23	--	25600-0*	VA-25	--
VA-300/2	300	125	295	--	25	19	35	45	25	--	25600-1*	VA-25	--
VA-350/3	350	160	385	--	25	27	40	55	53	60	35600-0*	VA-35	--
VA-400/3	400	180	405	--	35	32	50	65	55	62	35600-1*	VA-35	--
VA-450/4	450	215	465	485	40	38	55	75	84	103	45600-0*	VA-45	VA-46
VA-500/4	500	230	480	505	45	38	65	85	87	106	45600-1*	VA-45	VA-46
VA-600/6	600	320	--	585	55	47	80	100	--	183	61600-0*	--	VA-61
VA-750/7	800	390	--	710	75	58	100	125	--	356	76600-0*	--	VA-76
VA-900/8	900	485	--	900	110	62	128	160	--	682	86600-0*	--	VA-86

NOTES

- All models are available in clockwise (CW) and anticlockwise (ACW).
 - To help you decide on the right vibrator model and type of bowl, we recommend that you contact our Technical/Sales Department directly.
 - The measurements detailed here correspond to non-individualised Positioning Units (standard bowl); if you require individualised bowl measurements, please contact us.
- (*) The bowl code must be complemented with the number 0 or 1, depending on the chosen "L" measurement.