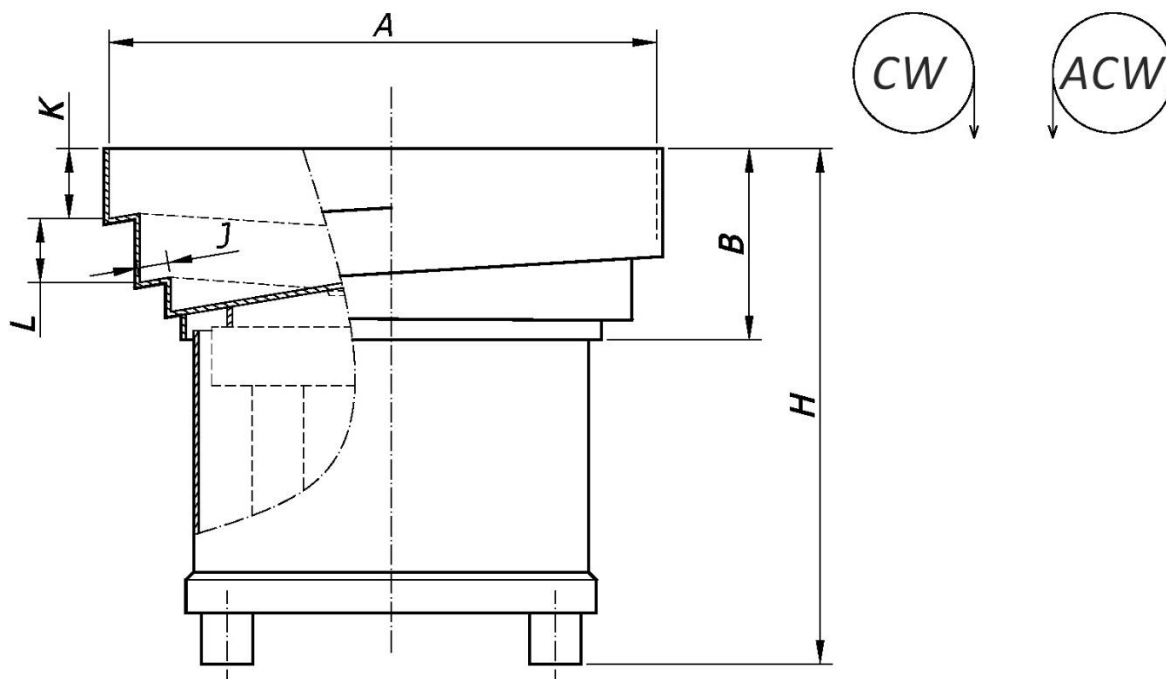


VIBRATORY POSITIONING UNITS

Vibrator + stepped bowl (in AISI-304 L stainless steel)



Unit model	Measurements (mm)						Weight (~) kg		Bowl code	Vibrator model		
	A (ss)*	B	(~) H		J	K	L	I		II	I	II
			I	II								
VA-230/1E	230	74	205	---	12	21	25	9,6	---	15600-07	VA-15	---
VA-360/2E	360	115	280	---	22	28	40	24,5	---	25600-07	VA-25	---
VA-510/3E	510	158	375	400	32	35	60	54,5	---	35600-07	VA-35	---
VA-640/4E	640	202	---	460	38	40	80	---	105	45600-07	---	VA-46
VA-725/6E	725	295	---	565	25	50	100	---	183	61600-07	---	VA-61
VA-900/6E	900	307	---	575	60	50	110	---	188	61600-17	---	VA-61
VA-925/7E	925	356	---	675	35	60	125	---	357	76600-07	---	VA-76
VA-1150/7E	1150	368	---	690	80	60	135	---	363	76600-17	---	VA-76
VA-1100/8E	1100	430	---	845	40	70	150	---	679	86600-07	---	VA86
VA-1400/8E	1400	440	---	860	100	70	160	---	689	86600-17	---	VA-86

NOTES

- 1.- All models are available in clockwise (CW) and anticlockwise (ACW).
- 2.- To help you decide on the right vibrator model and type of bowl, we recommend that you contact our Technical/Sales Department directly.
- 3.- The measurements detailed here correspond to non-individualised Positioning Units (standard bowl); if you require individualised bowl measurements, please contact us.

(ss)* Sum of semi-axes.