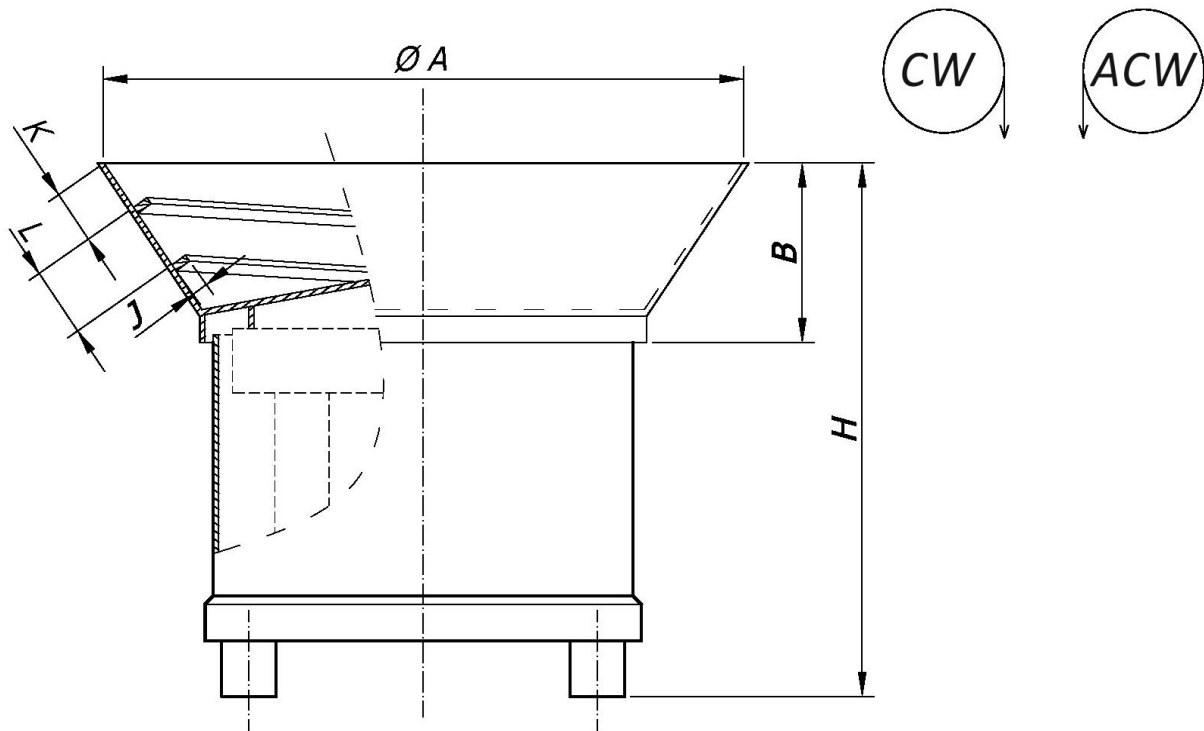


VIBRATORY POSITIONING UNITS

Vibrator + conical bowl (in AISI-304 L stainless steel)



Unit model	Measurements (mm)						Weight (~) kg		Bowl code	Vibrator model		
	A (Ø)	B	(~) H		J	K	L	I		II	I	II
			I	II								
VA-245/1C	240	80	210	---	6	20	25	9,5	---	15600-04	VA-15	---
VA-395/2C	365	115	285	---	8	28	40	25,0	---	25600-04	VA-25	---
VA-545/3C	515	155	355	---	10	33	60	53,5	---	35600-07	VA-35	---
VA-705/4C	675	203	---	470	15	50	80	---	105	45600-04	---	VA-46
VA-920/6C	890	300	---	545	20	55	110	---	190	61600-04	---	VA-61
VA-1140/7C	1110	365	---	660	25	75	135	---	377	76600-04	---	VA-76
VA-1350/8C	1315	428	---	840	30	80	160	---	705	86600-04	---	VA-86

NOTES

- 1.- All models are available in clockwise (CW) and anticlockwise (ACW).
- 2.- To help you decide on the right vibrator model and type of bowl, we recommend that you contact our Technical/Sales Department directly.
- 3.- The measurements detailed here correspond to non-individualised Positioning Units (standard bowl); if you require individualised bowl measurements, please contact us.