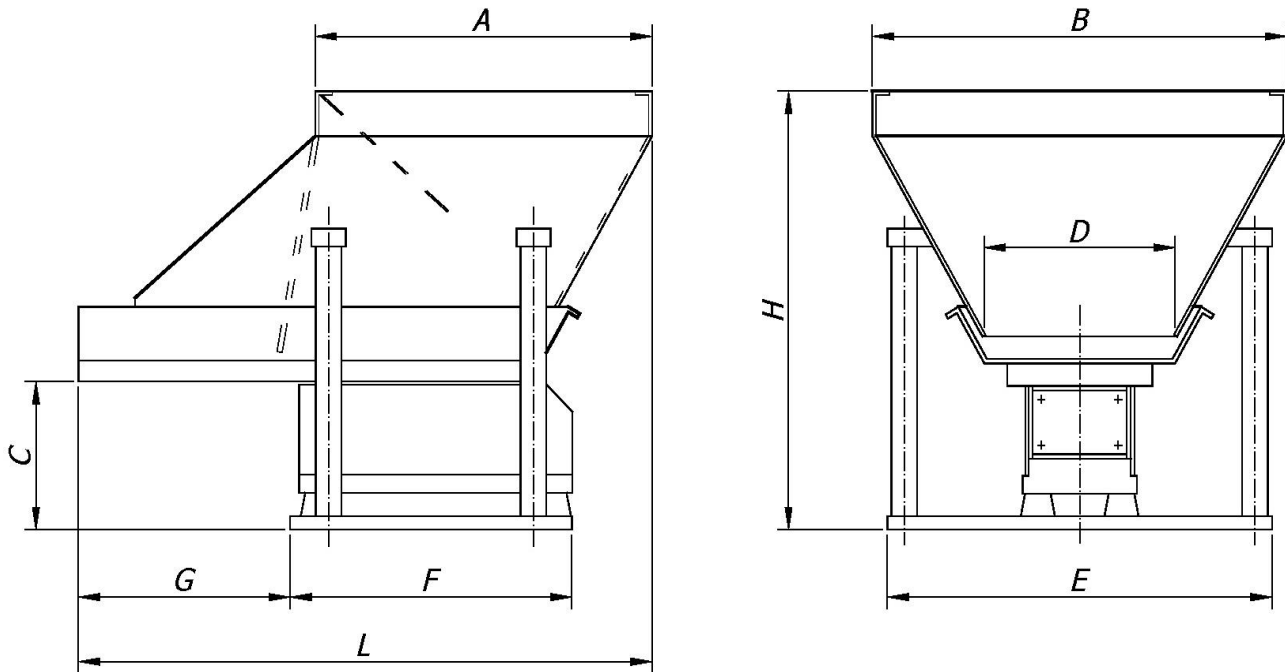


## VIBRATORY AUTONOMY UNITS

Vibrator + static hopper (in AISI-304 L stainless steel)



Unit model	Measurements (mm)									Hopper capacity (~ dm <sup>3</sup> )	Vibrator model
	A	B	C	D	E	F	G	H	L		
VT-25/3P	390	490	165	220	450	330	235	490	670	25	VD-30
VT-40/3L										40	
VT-40/6P	506	590	225	300	620	430	285	590	830	40	VD-60
VT-70/6L										70	
VT-70/6P	550	660	225	300	620	430	295	700	860	70	VD-60
VT-100/6L										100	
VT-100/7P	610	820	225	400	790	670	175	765	1130	100	VD-70
VT-180/6L						470	300		940	180	VD-60
VT-180/7P	650	935	225	450	885	670	175	830	1180	180	VD-70
VT-250/6L						470	300		995	250	VD-60
VT-400/7P	850	960	225	450	900	670	450	870	1330	400	VD-70

### NOTES

- 1.- To help you decide on the right type of autonomy unit, we recommend that you contact our Technical/Sales Department directly.
- 2.- The "C" measurement may vary slightly to the same extent as the "E" measurement (manufacturing tolerance of the elastic supports and compression, according to hardness and weight supported - see technical sheet A-02.00).