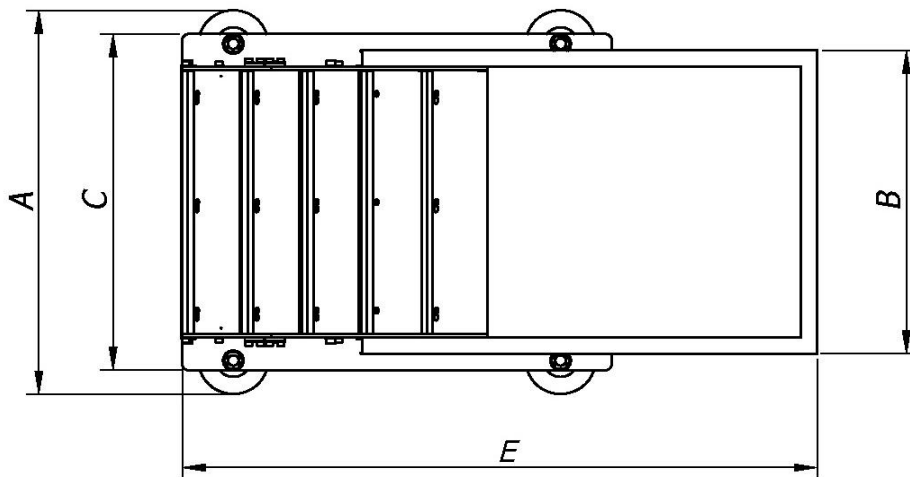
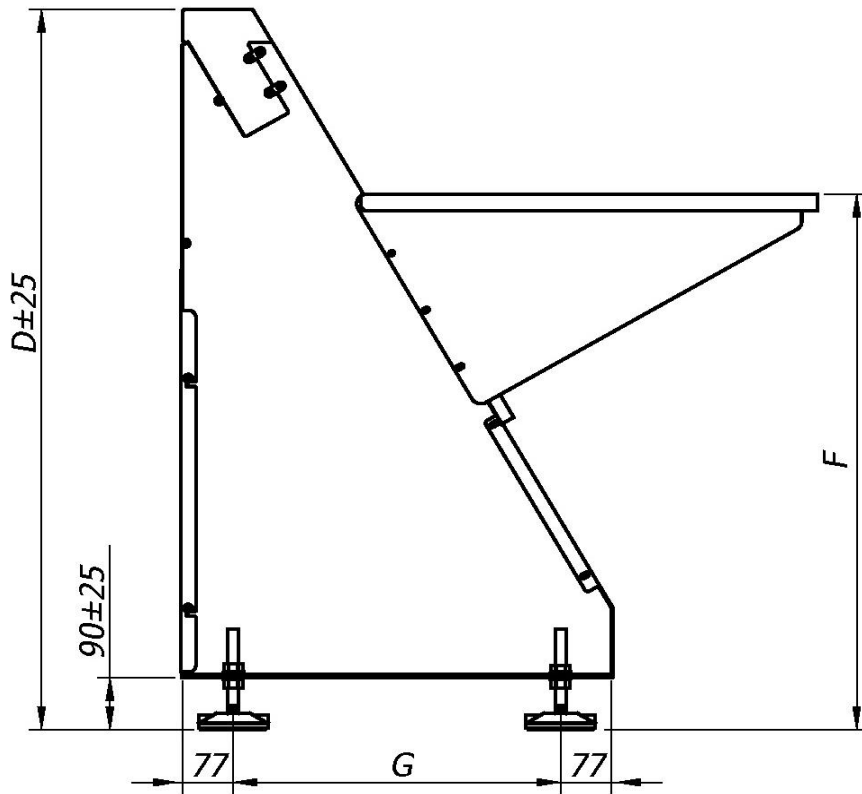


AUTONOMY UNITS AND ASSEMBLIES WITH ELEVATION - III

Elevation through oscillating slats



Unit model	Measurements (mm)							Hopper capacity ~ dm ³
	A	B	C	D	E	F	G	
EL 250 10 4P	434	312	362	945	800	750	390	20
EL 400 10 4P	584	462	512	945	800	750	390	30
EL 730 10 4P	939	817	847	945	800	750	390	50