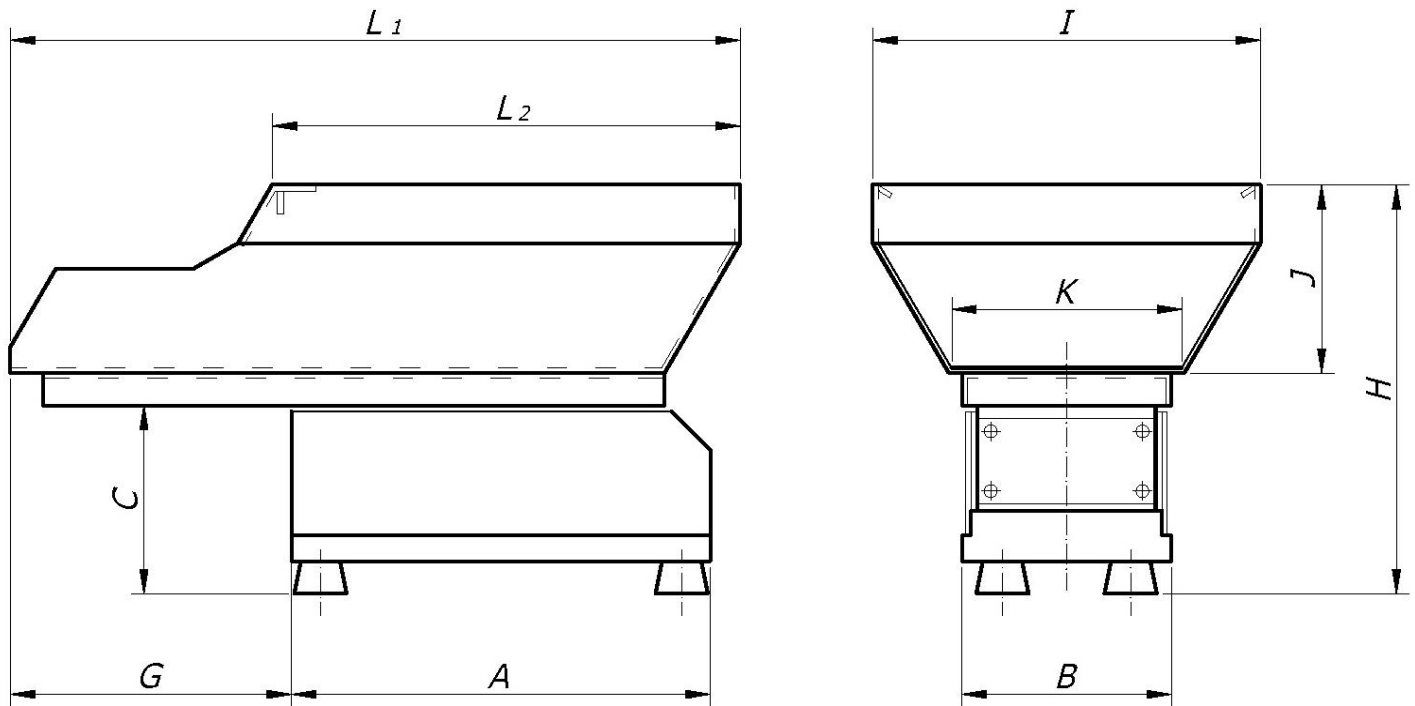


## VIBRATORY AUTONOMY UNITS

Vibrator + dynamic hopper (in AISI-304 L stainless steel)



Unit model	Measurements (mm)										Hopper capacity (~ dm <sup>3</sup> )	Weight (~ kg)	Vibrator model
	A	B	C	G	H	I	J	K	L <sub>1</sub>	L <sub>2</sub>			
VC-02/2P	350	110	128	170	283	218	125	120	504	290	2	12	VD-20
VC-06/2L											6		
VC-06/3P	320	160	145	215	315	297	145	180	549	358	6	25	VD-30
VC-12/3L											12		
VC-25/3L	320	160	145	283	385	355	215	180	655	447	25	32	VD-30
VC-50/6L	420	260	205	390	475	514	245	300	877	507	50	81	VD-60

### NOTES

- 1.- To help you decide on the right type of autonomy unit, we recommend that you contact our Technical/Sales Department directly.
- 2.- The "C" measurement may vary slightly to the same extent as the "E" measurement (manufacturing tolerance of the elastic supports and compression, according to hardness and weight supported – see technical sheet A-02.00).