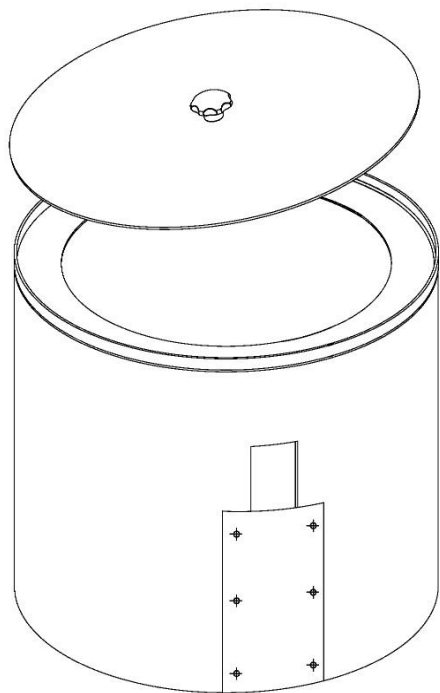
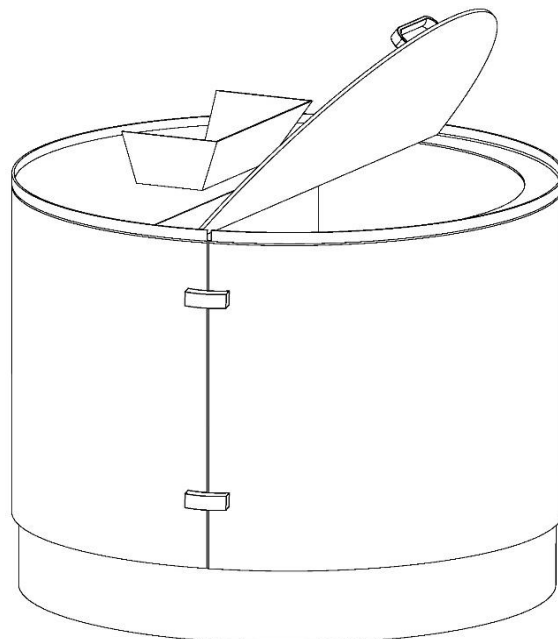


ACCESSORIES

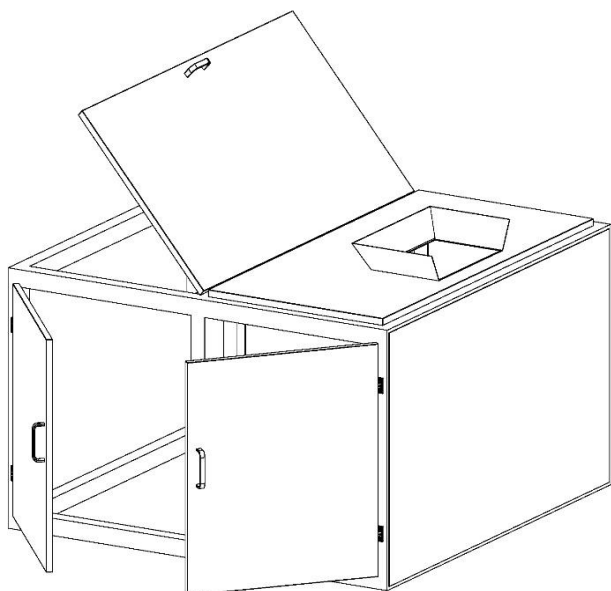
Soundproofing for TAD positioning units



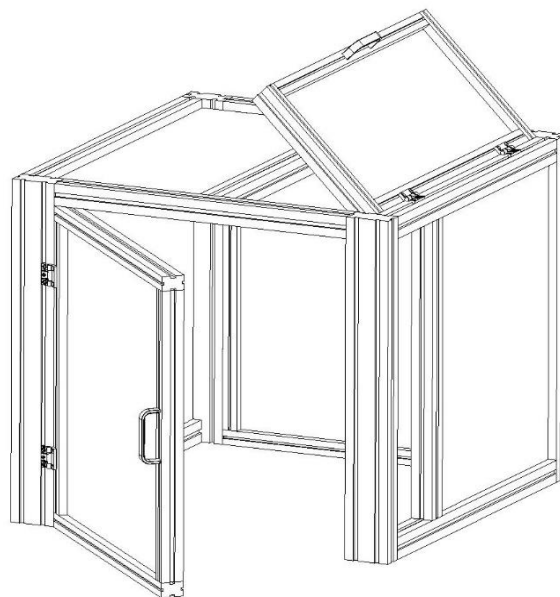
Model CL. Hood with closed housing



Model CPD. Hood with dismantlable housing



Model CCH. Structural cabin in C steel



Model CAL. Structural cabin with aluminium profiles

The choice of model, size and variant depends on the requirements of the application and on various official and discretionary standards regarding noise limits, accessibility, etc.